

For reference only. See data sheet for the detailed specifications.

## Technical Specification



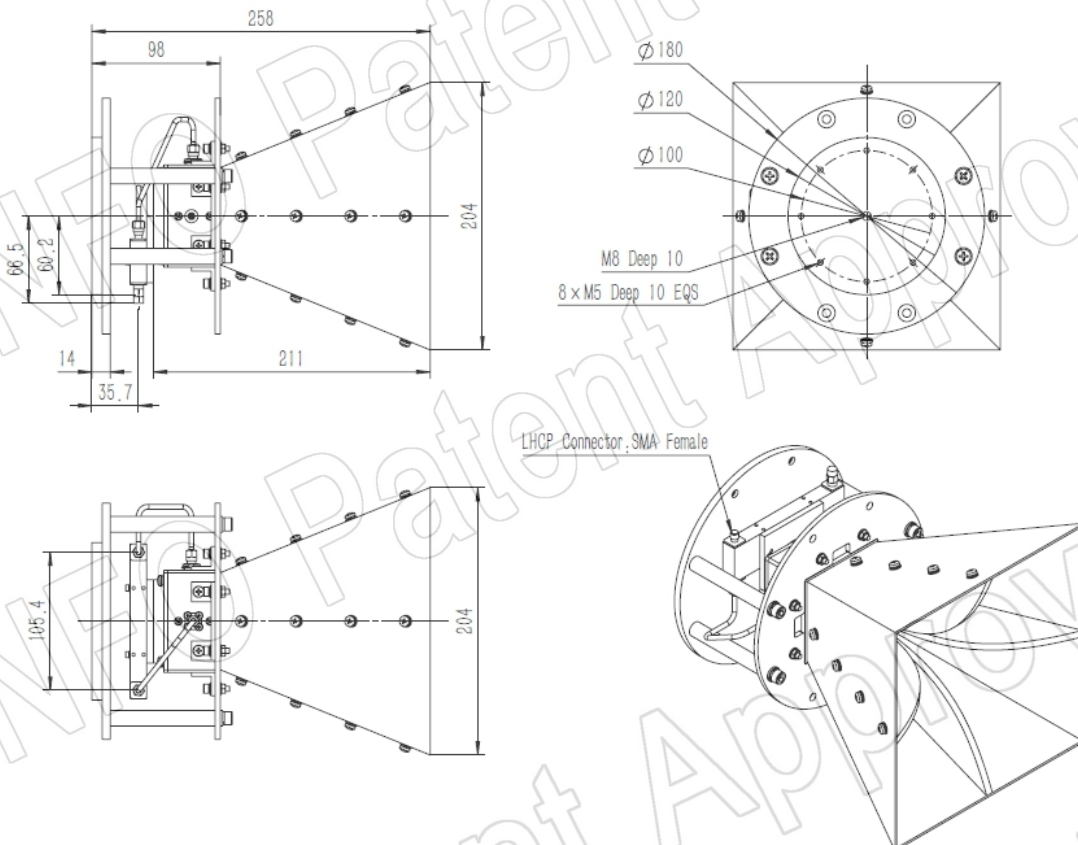
Frequency Range(GHz)	1.0 – 10.0
Gain(dBic)	11 Typ.
Polarization	LHCP
Axial Ratio(dB)	2.0 Typ. 3.0 Max.
3dB Beamwidth(deg)	E Plane: 88 - 22
	H Plane: 71 - 22
VSWR	1.5:1 Typ.
Connector	SMA-Female
Power Handling(W CW)	20 Max.
Material	Al
Finish	Chemical Conversion Coating, Gray Paint, Black Paint
Size(mm)	204 x 204 x 258
Net Weight(Kg)	2.88 Around

PATENT ID (China)

ZL201630458465.1

## Outline Drawing (Size: mm)

SMA-Female Output (P/N: LB-SJ-10100-P01)



AINFO Inc.

Page 1 of 8

China(Beijing):  
China(Chengdu):  
USA :

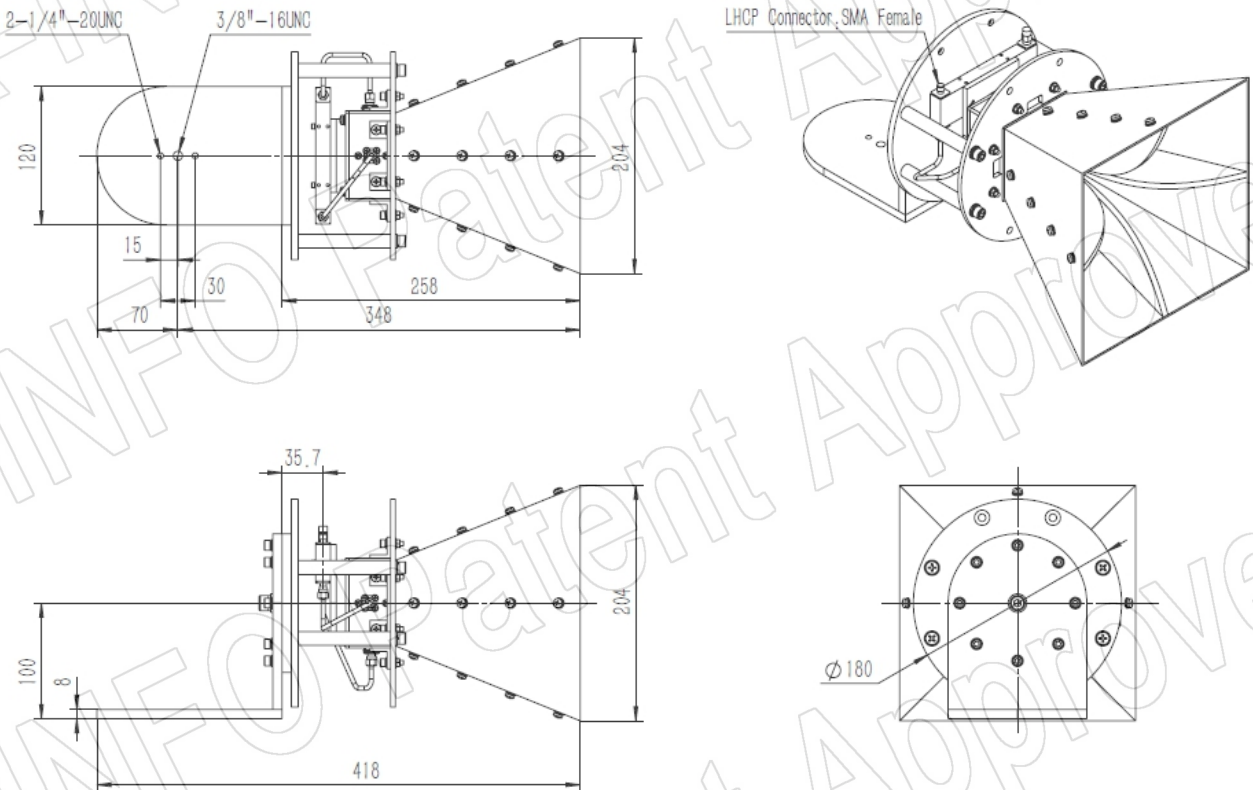
Tel: (+86) 10-6266-7326,  
Tel: (+86) 28-8519-2786,  
Tel: (+1) 949-639-9688,

(+86) 10-6266-7327  
(+86) 28-8519-3044  
(+1) 949-639-9608

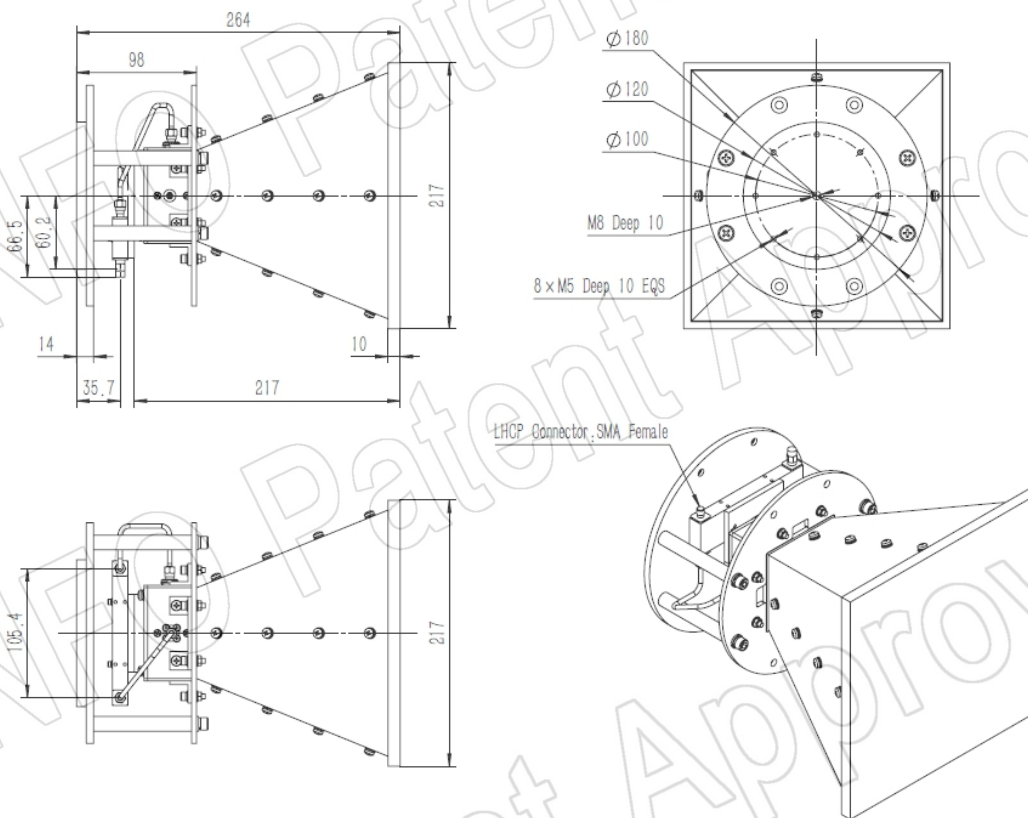
Fax: (+86) 10-6266-7379  
Fax: (+86) 28-8519-3068  
Fax: (+1) 949-639-9670

Website: [www.ainfoinc.com](http://www.ainfoinc.com)  
Email: [sales@ainfoinc.com](mailto:sales@ainfoinc.com)

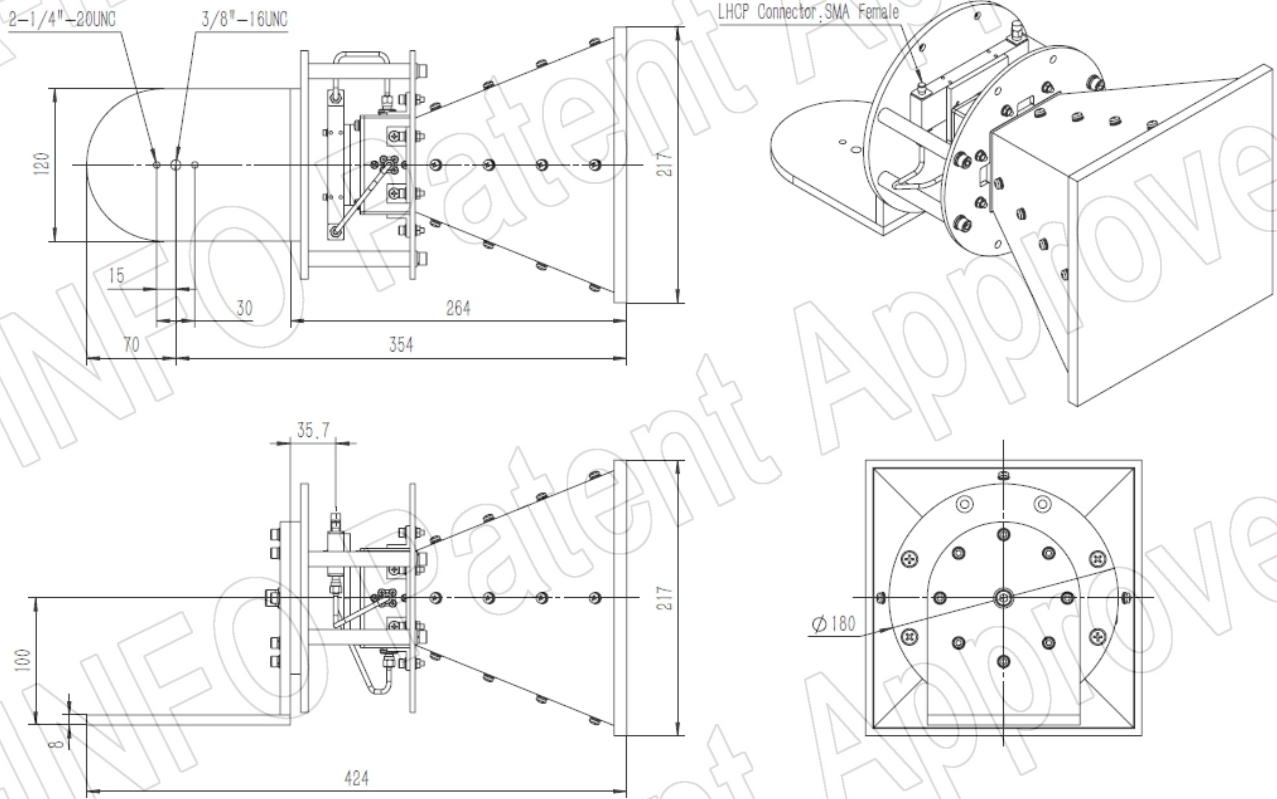
SMA-Female Output with L Type Mounting Bracket (Option, P/N: LB-159-10-C-L)



SMA-Female Output with Radome (Option, P/N: LB-SJ-10100-P01SPO, Outdoor Application)

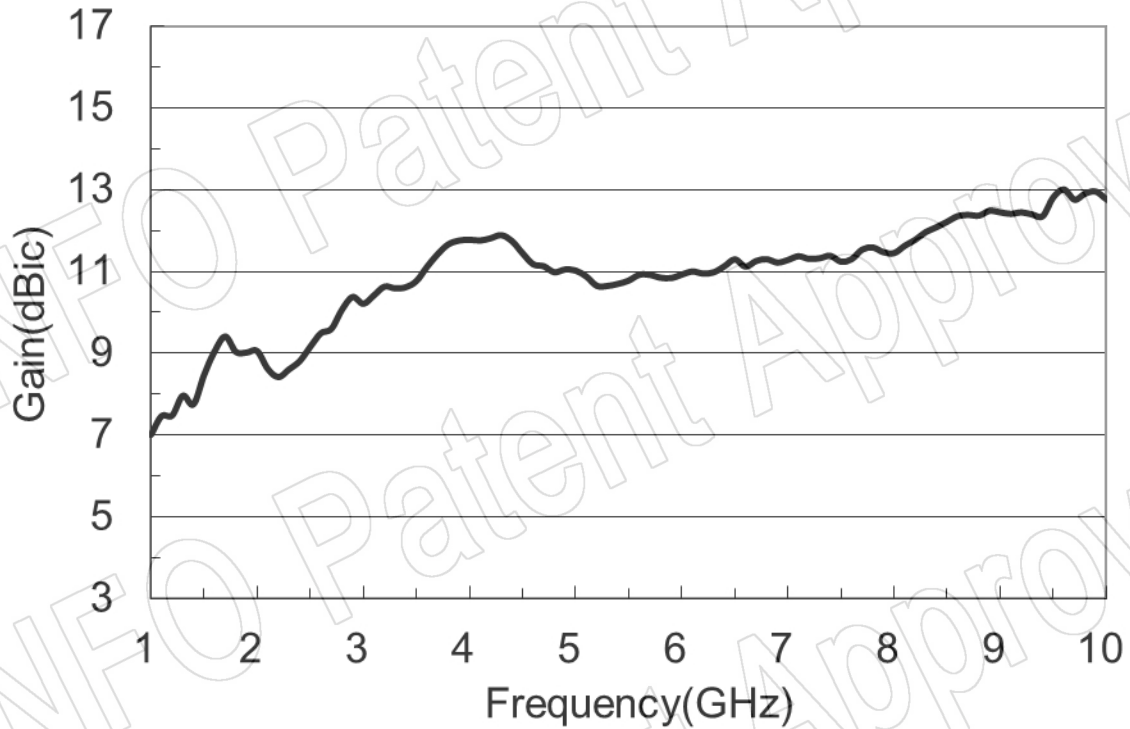


SMA-Female Output with L Type Mounting Bracket & Radome (Option, P/N: LB-159-10-C-L & LB-SJ-10100-P01SPO, Outdoor Application)

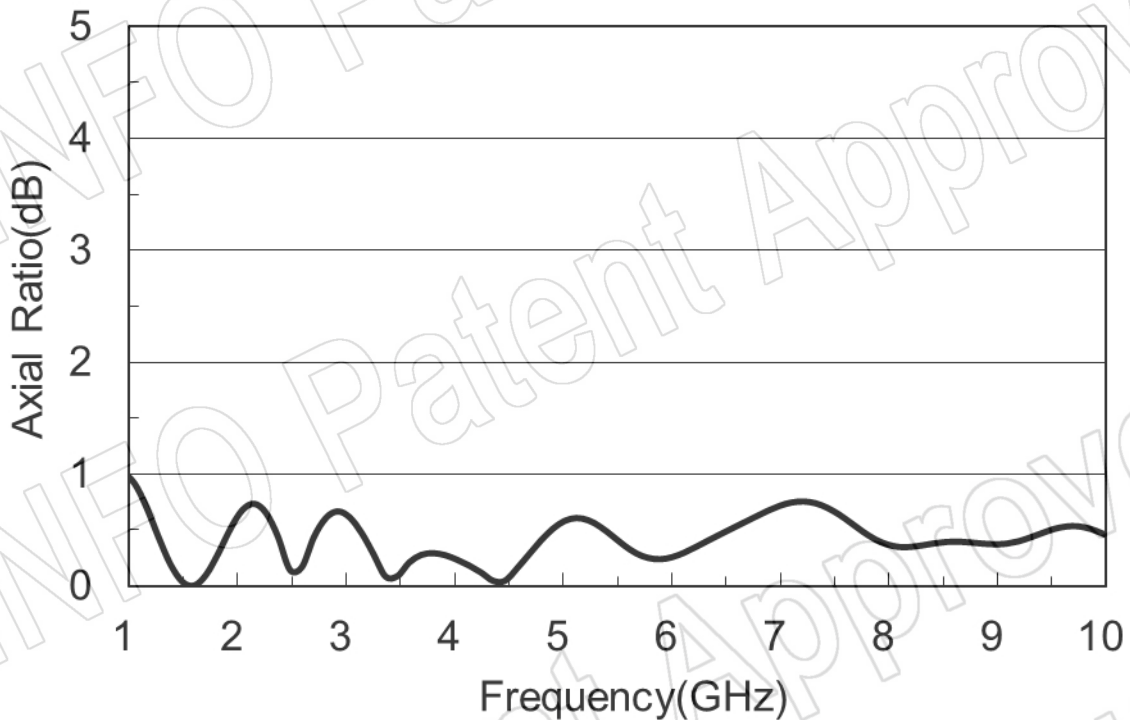


## Test Results

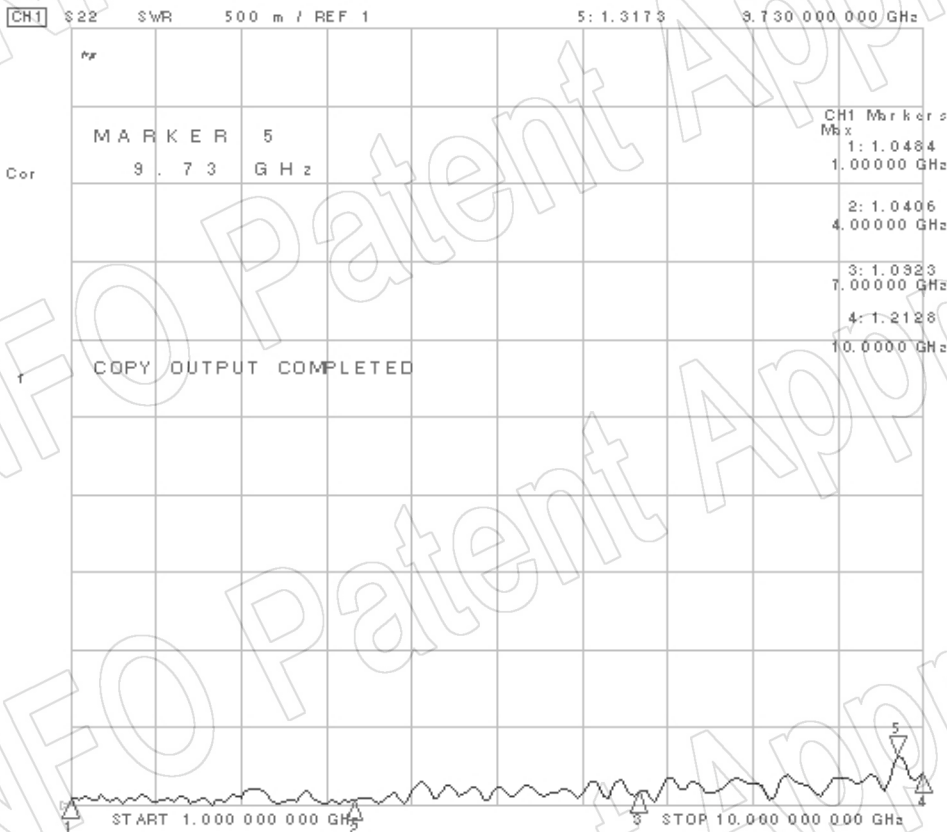
### 1. Gain



### 2. Axial Ratio



### 3. VSWR



### 4. Pattern

